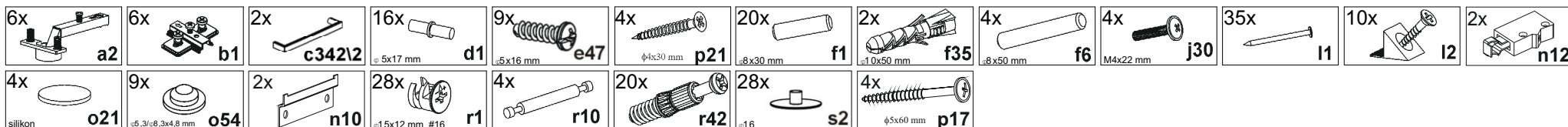
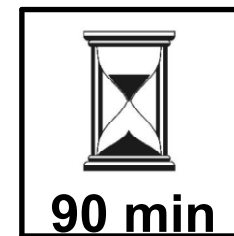
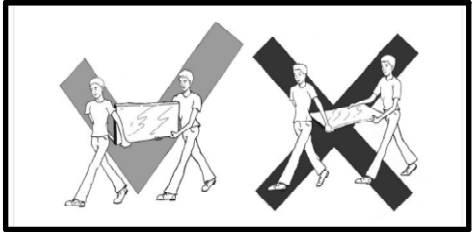
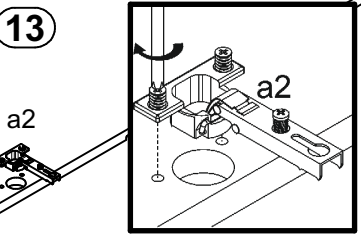
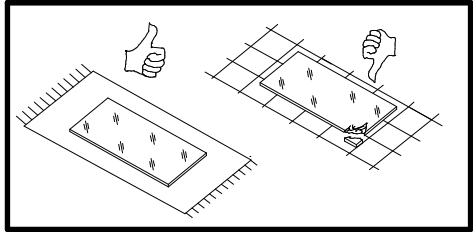
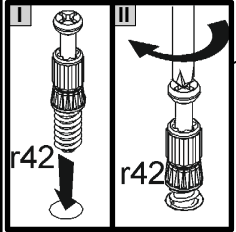
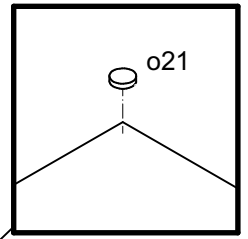
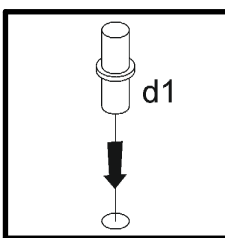
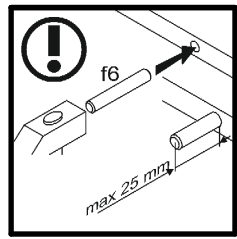
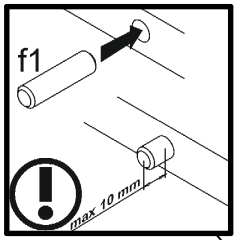
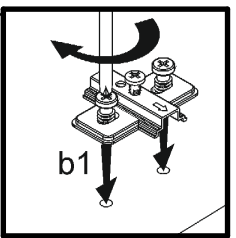
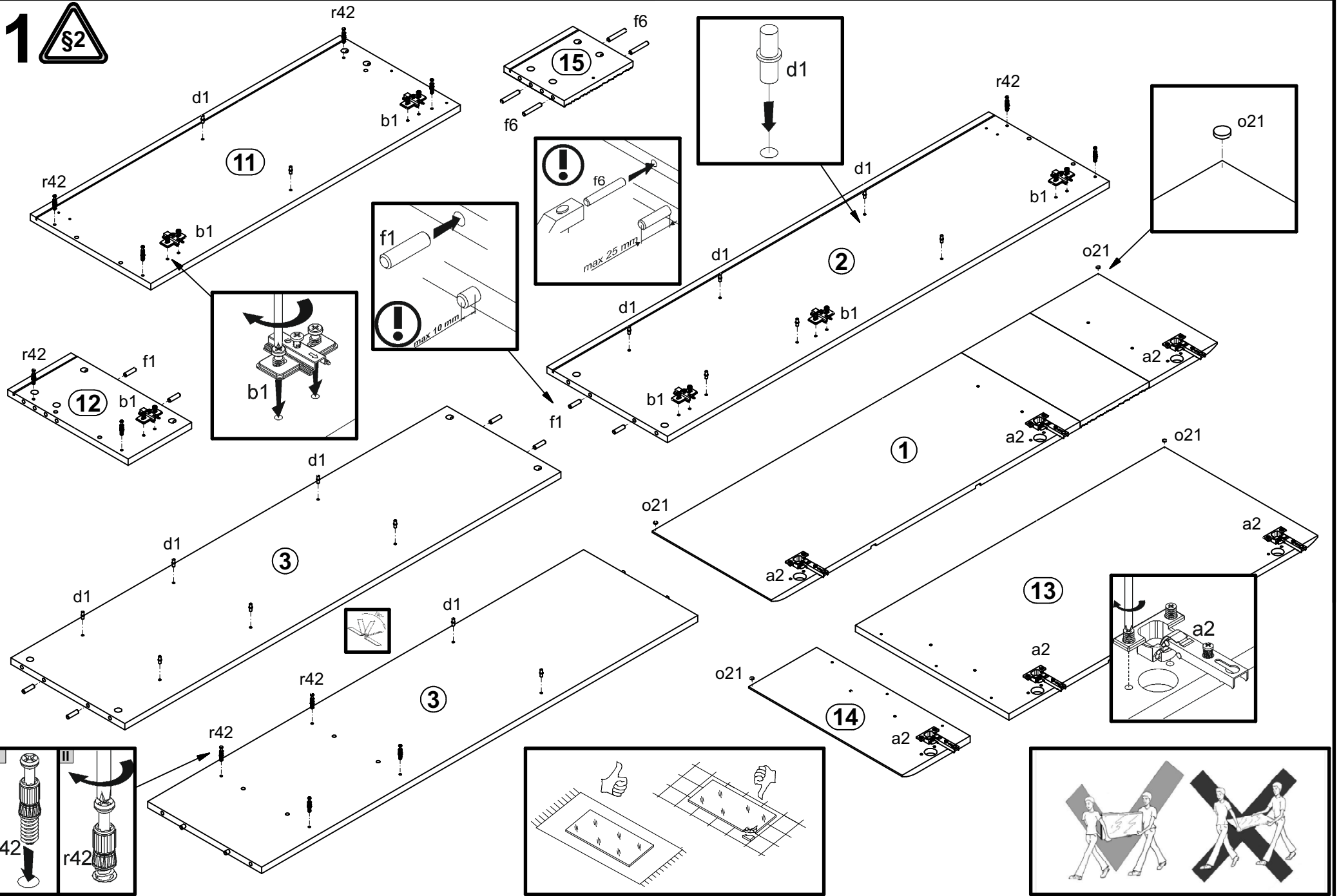


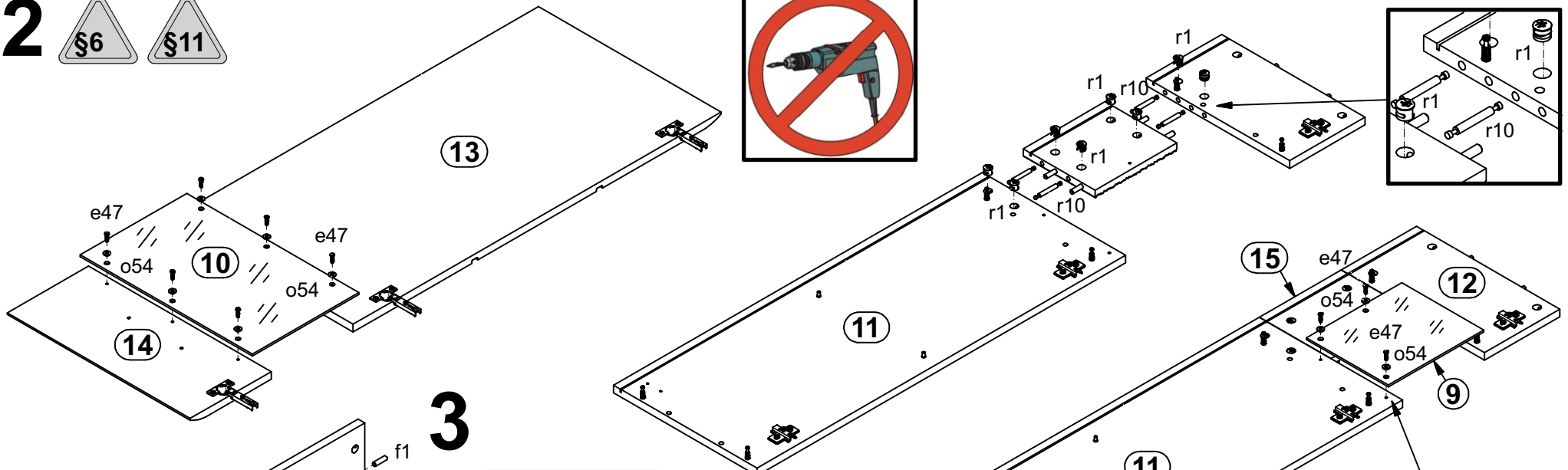
A	B	C (mm)		D
1	S174-008	1296	346	2/2
2	S174-1102	1284	350	1/2
3	S174-104	1267	331	1/2
4	S174-202	800	350	1/2
5	S174-304	767	331	1/2
6	S174-305	424	321	2/2
7	S174-306	424	321	2/2
8	S174-307	327	321	1/2
9	S174-551	233	200	1/2
10	S174-552	420	260	1/2
11	S174-703-01	900	350	1/2
12	S174-704	184	350	1/2
13	S174-7705	898	446	2/2
14	S174-7706	198	446	2/2
15	S174-7714	175	200	2/2
16	S174-9915	1285	437	2/2
17	S174-9916	1285	340	2/2
18	qc11v1	LED		1/2



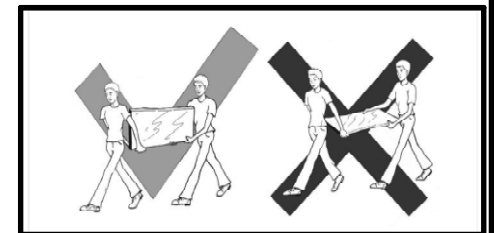
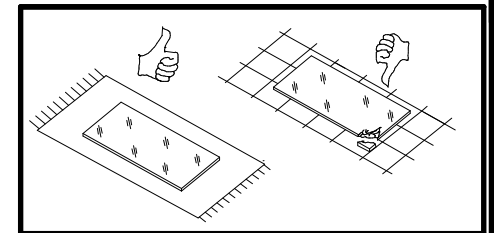
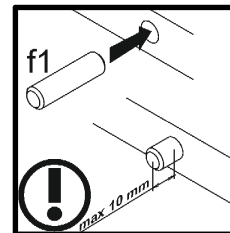
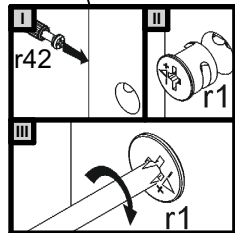
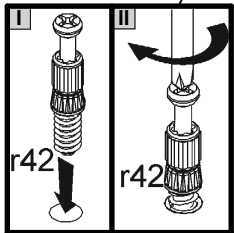
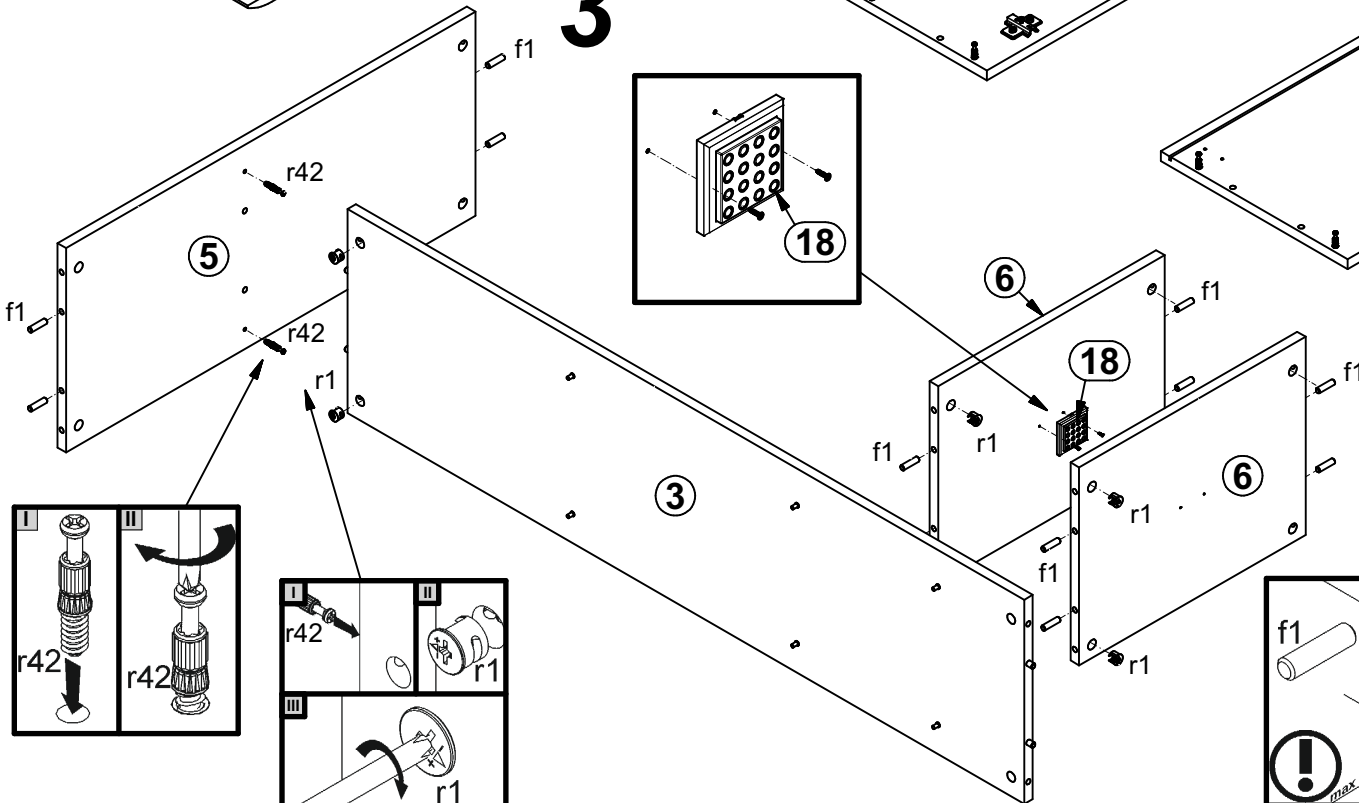
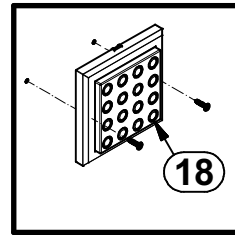
1 

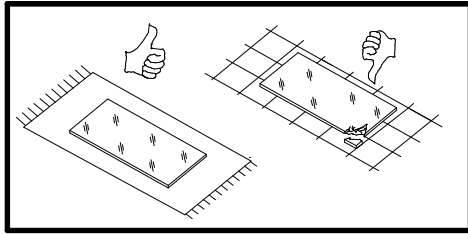


2

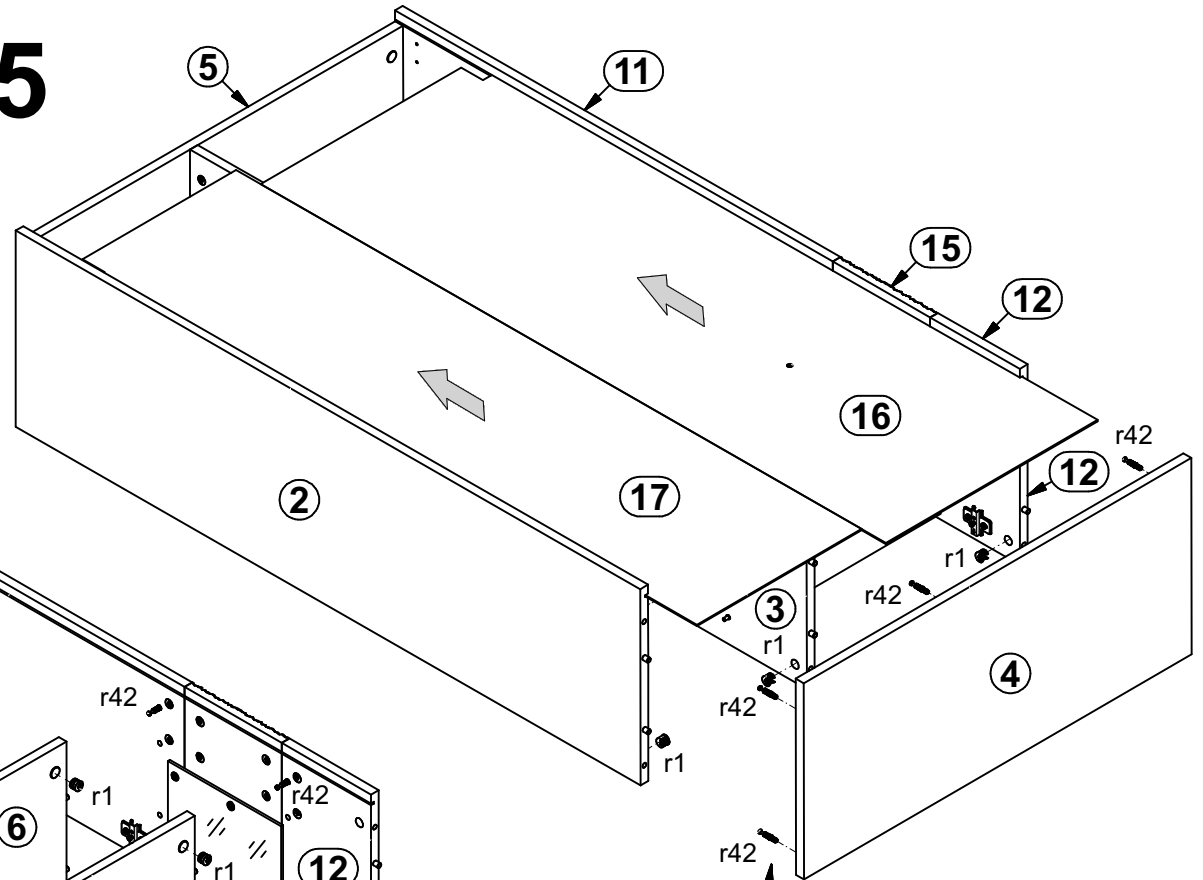


3

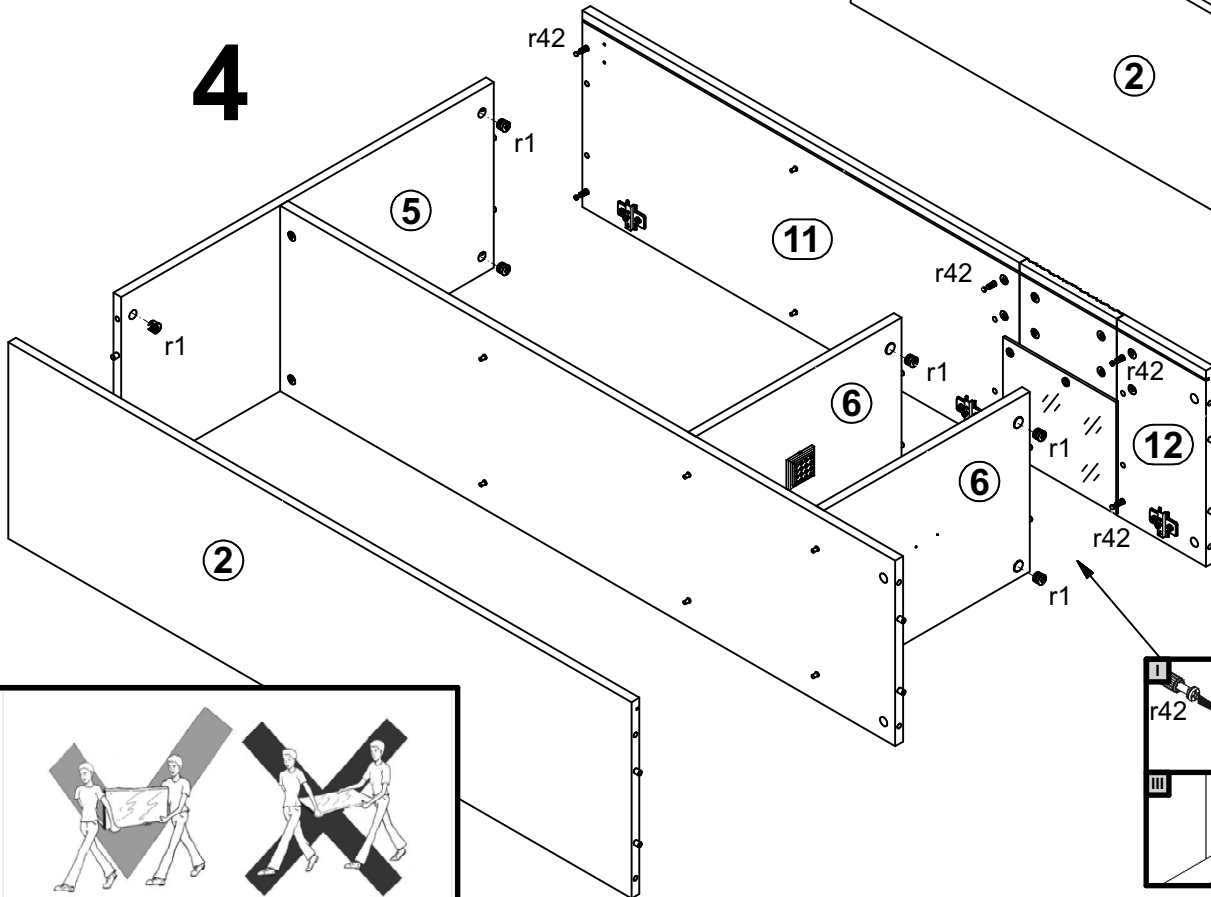




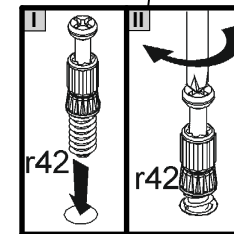
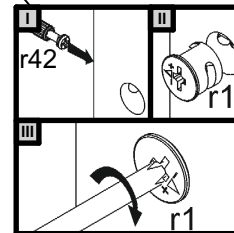
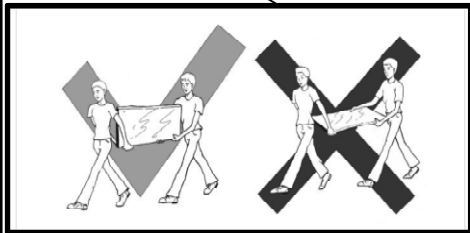
5

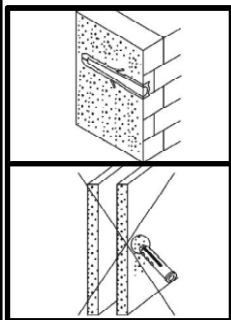
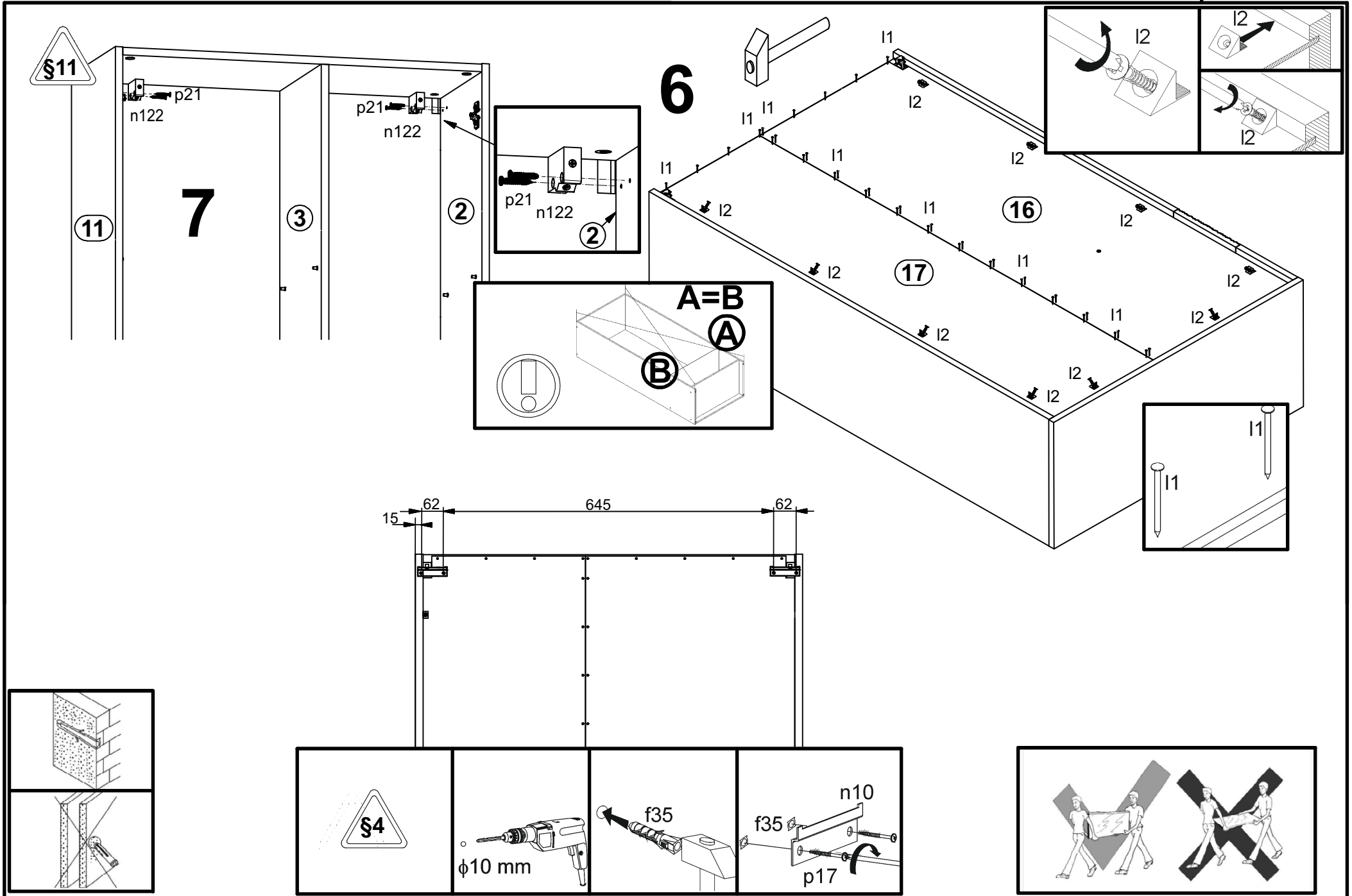


4



2



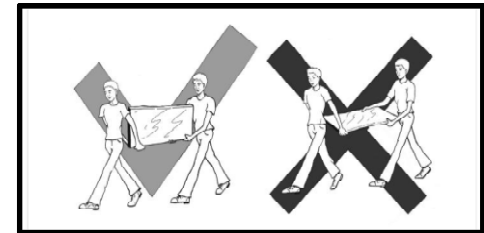


§4

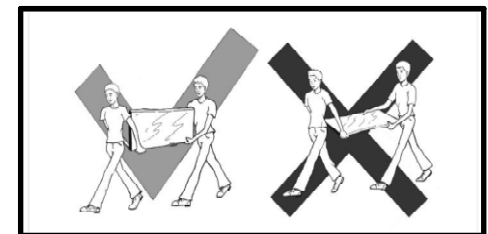
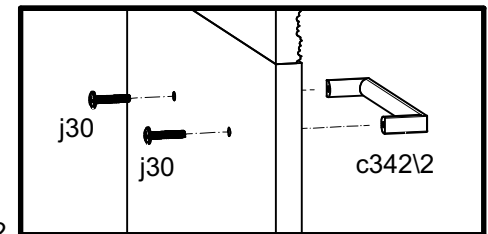
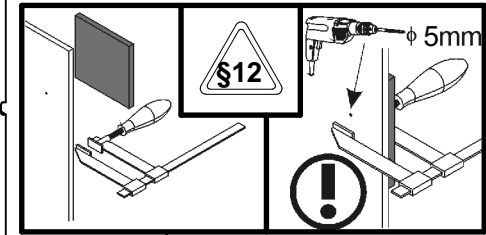
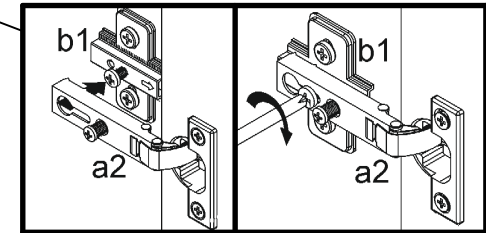
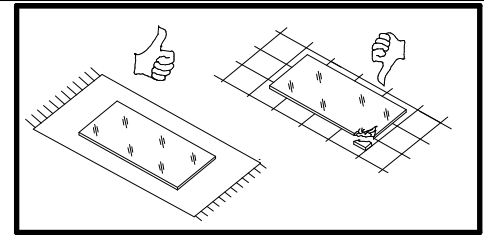
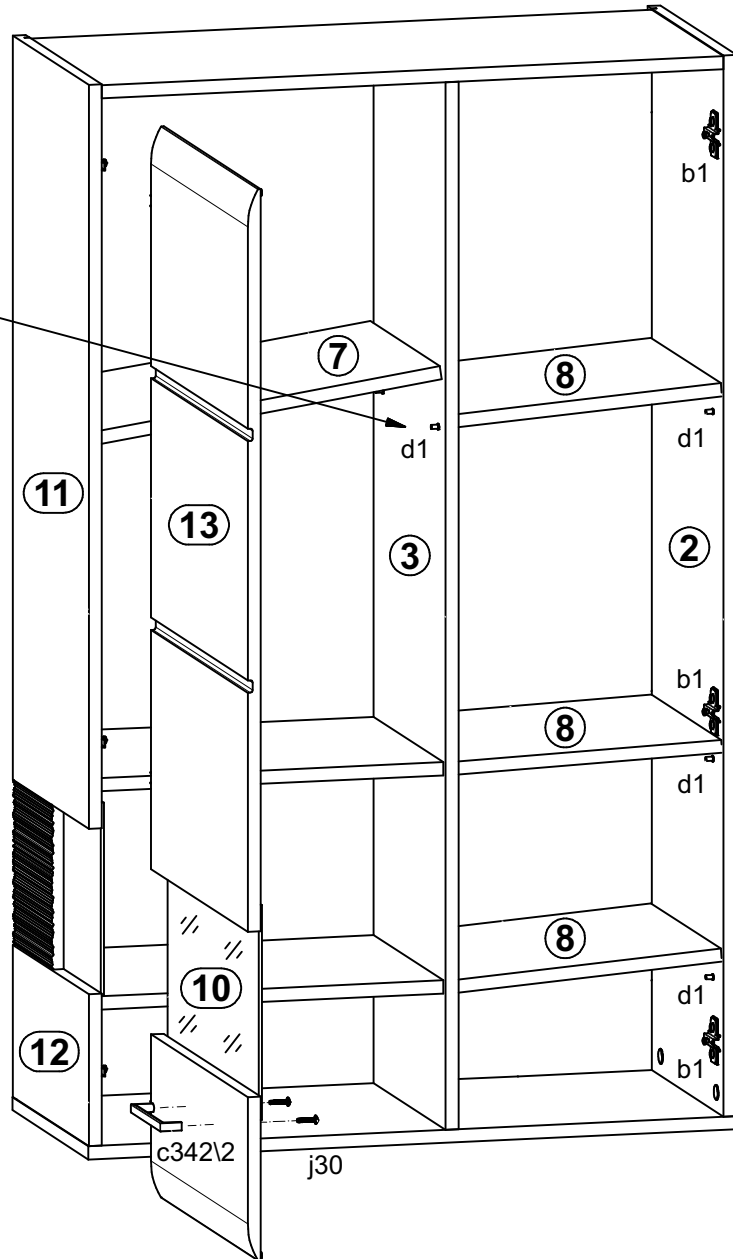
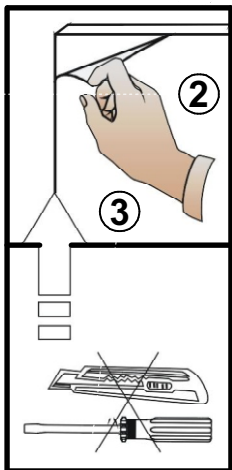
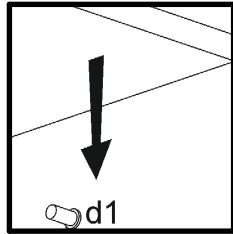
φ10 mm

f35

n10
p17



8



9 

